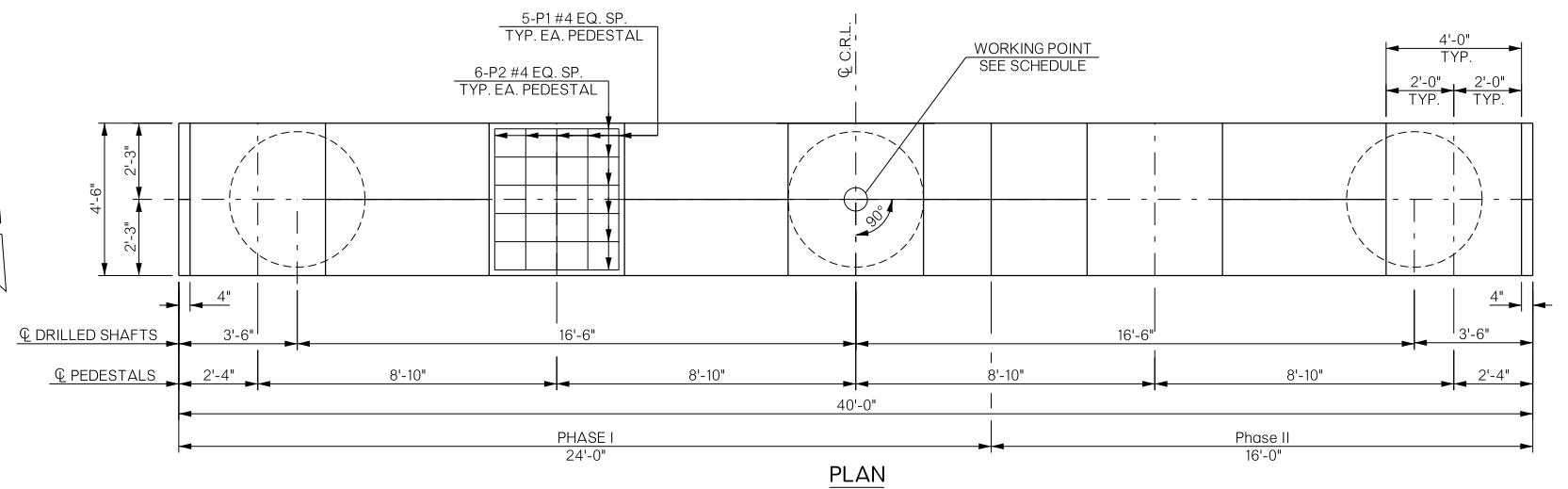
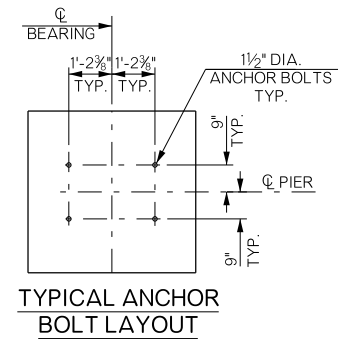


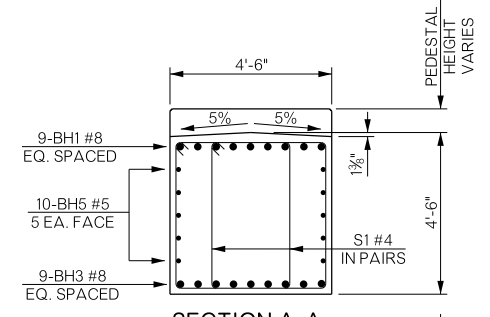
REVISIONS		
REV. NO.	DESCRIPTION	DATE



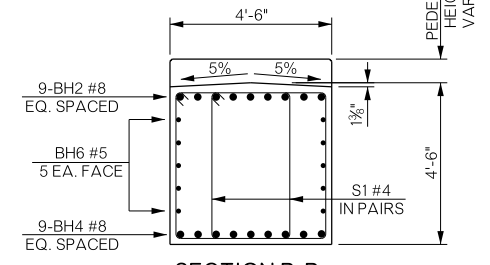
PLAN



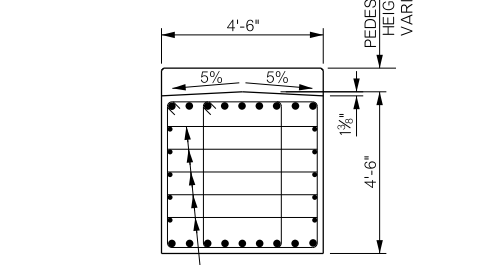
TYPICAL ANCHOR BOLT LAYOUT



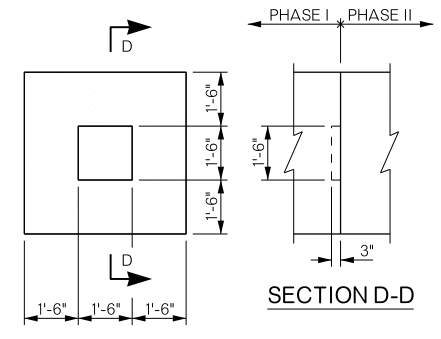
SECTION A-A



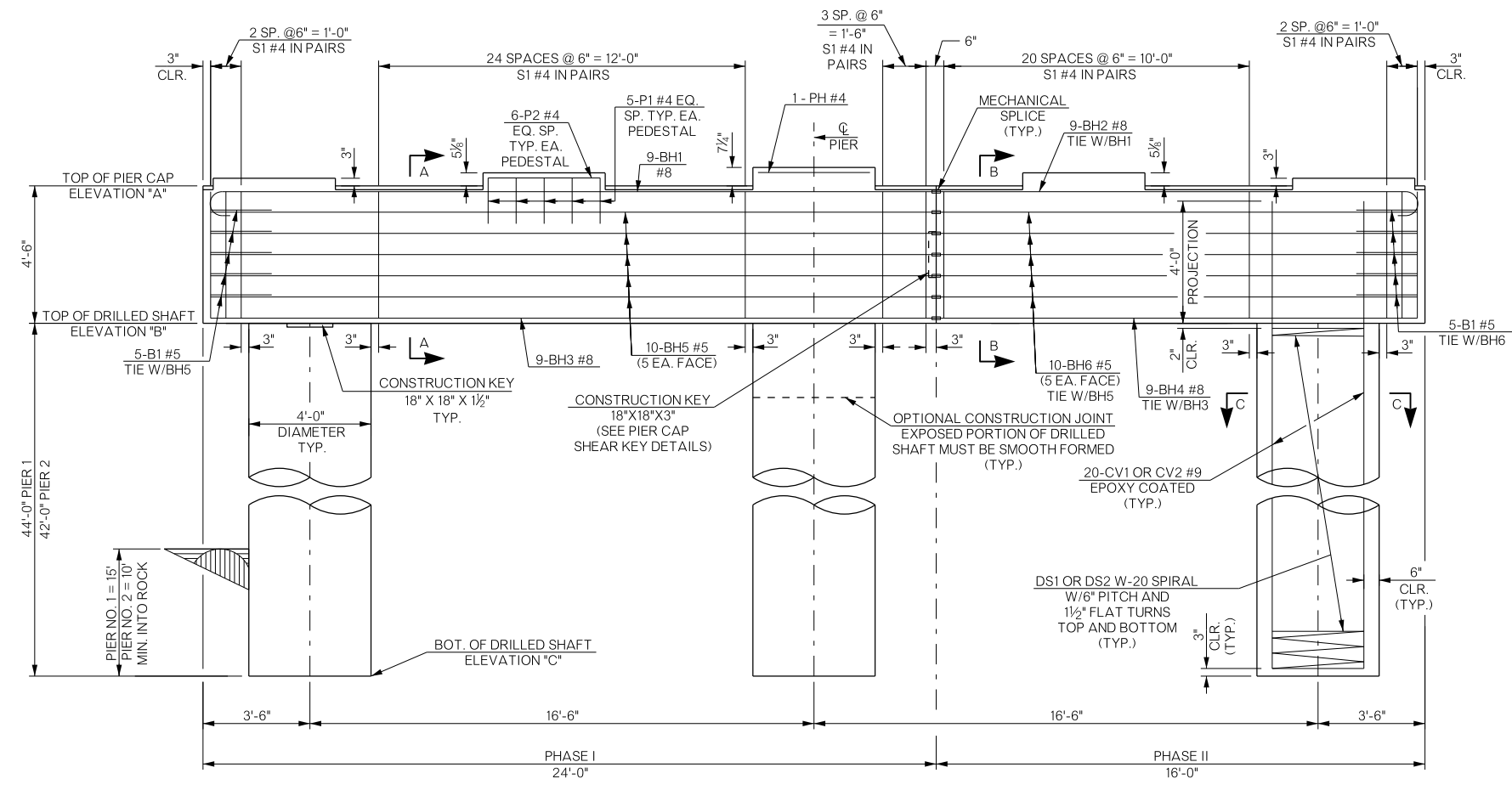
SECTION B-B



END SECTION



PIER CAP SHEAR KEY DETAILS



ELEVATION

SCHEDULE OF LOCATIONS, ELEVATIONS				
PIER NUMBER	WORKING POINTS	ELEVATIONS		
		A	B	C
1	118+29.81	1037.51	1033.01	989.01
2	118+89.81	1037.81	1033.31	991.31

BRIDGE "B" U.S.-277 OVER SNAKE CREEK		COMANCHE COUNTY		Design	MLC	07/16
DETAILS OF PIERS (SHEET 1 OF 2)				Detail	VNT	07/16
				Check	DAH	04/17
STATE OF OKLAHOMA				Squad	HARJO	
DEPARTMENT OF TRANSPORTATION				Engr:	MOLLA-ESMAIL	
JOB/PIECE NO. 27968(04)		SHEET NO. B016				